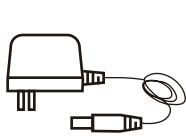


STEP 1 WHAT IS IN THE BOX :

12VDC POWER SUPPLY ALLEN WRENCH ANCHOR M4 SCREWS



X1



X1

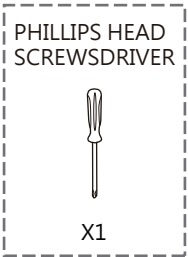


X4



X4

REQUIRED ↓



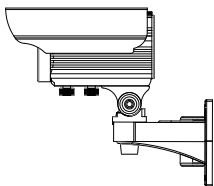
X1

24VAC ADAPTER



X1

BULLET CAMERA



X1

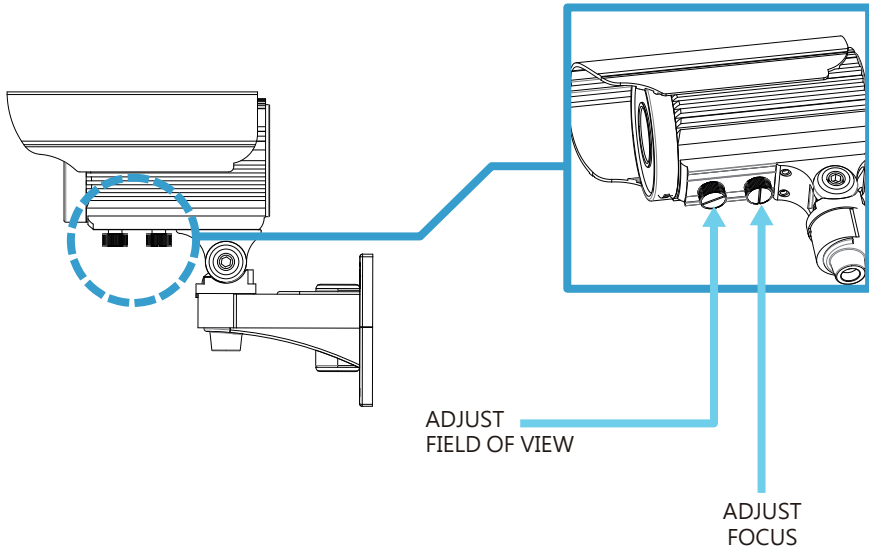
STEP 2 CONNECTIONS :



RF DIGITAL VIDEO OUTPUT

12VDC POWER

STEP 3 HOW TO ADJUST AND FOCUS LENS :



ADJUST FIELD OF VIEW

ADJUST FOCUS

STEP 4 MOUNTING THE CAMERA :

